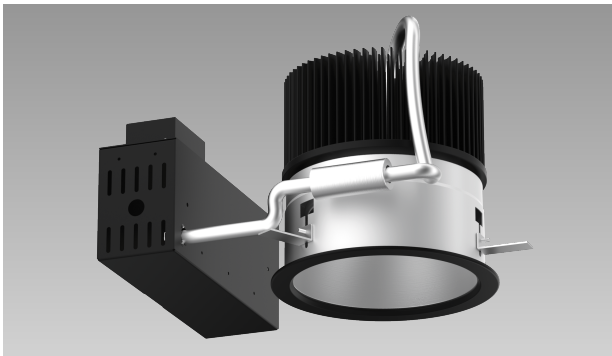


ADVANCED HIGH CEILING
REV 8 Prime - Retrofit



8-inch aperture high lumen recessed downlight with lumen output 21204 - 25521lm.

Quantity	Type
Project	Note

Electrical System

- 21762 lm (185W)
25521 lm (225W)
- Power Input: 120V or 277V
- Operating Temperature: -40°F~112°F
- Surge Protection: 4KV

LED Technology

- 2700K, 3000K, 3500K, 4000K
- 85 CRI
- Beam Angle: 30°, 45°, 55°, 100° (with diffuser)
- Rated Life > 60,000 hours (L70)

Advanced Dimming

(Proprietary VX Driver is incorporated to all dimming options for video flicker-free lighting)

- **DMX:** high resolution 4,096 steps dims to <0.1%
- **Superior 0-10V:** dims to less than 1%
- **185W only:**
- **TRIAC¹:** Line-voltage phase control, dims to 1% **(120V only)**
- **3-wire¹:** LUTRON Hi Lume 3-wire, dims to 1%
- **ECOsistem¹:** LUTRON Hi Lume ECOsystem, dims to 1 %

¹ Option is ONLY compatible to 185W

Housing

- Non-IC Rated, insulation must be kept > 1ft from housing.
- Aperture: 8.1" (207mm)
- Trim Size: 8.46" (214mm)
- Ceiling Cutout: 8.25" (210mm)
- Maximum ceiling thickness: 1.5" (38mm)
- Light engine, optics, and driver(s) accessible from below ceiling
- Weight: 16.13lbs / 17.32lbs

Note: C-Channel / Mounting Channels / T-Bar Hangers are purchased from a third party.

Warranty

- 5 years limited warranty.

Listing

- ETL Listed
- FCC



REV 8 Prime - Retrofit



How To Specify:

Ordering Example: R8PR-185-278-277-ECO-WD-WHT

4-5 weeks lead time on over 75% of specifications.

Model	Wattage	CCT / CRI	Voltage	Dimming
R8PR				
R8PR REV 8 inch Prime Retrofit	185 185W 225 225W	278 2700K / CRI85 308 3000K / CRI85 358 3500K / CRI85 408 4000K / CRI85	120 120V 277 277V	NOD Non-Dimming SPV Superior 0-10V <1% DMX DMX <0.1% (XLR Sockets) DMXR DMX <0.1% (RJ45 Sockets) TRC¹ TRIAC <1% (120V ONLY) ECO¹ LUTRON ECOsystem <1% 3WIR¹ LUTRON 3-wire <1%

¹ Option is ONLY compatible to 185W

Beam Angle	Finish	Accessories
30 30° 45 45° 55 55° WD¹ 100° (with diffuser)	BLK Black WHT White	SPD¹ Surge Protector DF² Diffuser GR9 Goof Ring 9" to 9.8" GR10 Goof Ring 10" to 10.8" GR12 Goof Ring 12" to 12.8" GR14 Goof Ring 14" to 14.8"

¹ Please factor in change in lumen output with diffuser (-20% with 100°; -12% with other degrees).

¹ Surge protector for up to 10KV. Applicable for unstable mains or facilities using high power machineries.

² Please factor in change in lumen output with diffuser (-20% with 100°; -12% with other degrees).

ADVANCED HIGH CEILING
REV 8 Prime - Retrofit



Delivered Lumens*

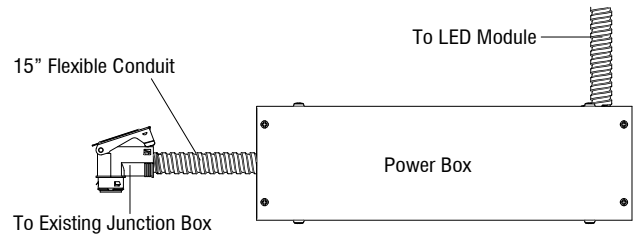
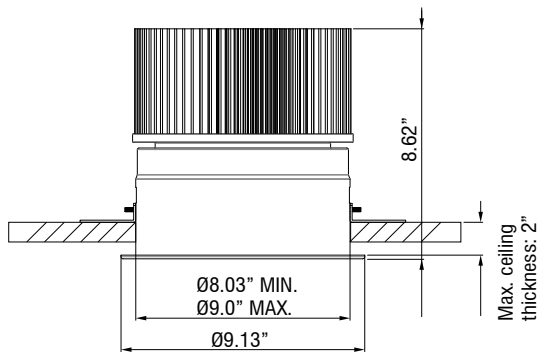
Wattage \ CCT	185W	225W
	Beam Angle: 30°	
4000K	21204 lm	24867 lm
3500K	20646 lm	24212 lm
3000K	20088 lm	23558 lm
2700K	18972 lm	22249 lm

*Tolerance ±8%

Current Consumption

Wattage \ Volt	120V	277V
185W	1.74A	0.75A
225W	2.11A	0.91A

Dimensions



ADVANCED HIGH CEILING
REV 8 Prime - Retrofit



DMX Requirements

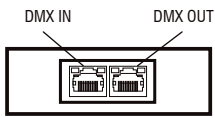
The 8" REV LED fixture with DMX is a **ONE CHANNEL DMX unit**.

When placing order, please indicate DMX address. (The DMX address will be listed on the back of the fixture.)

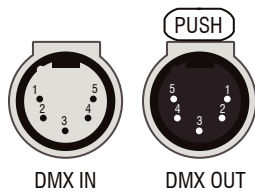
The LED fixture provide RJ45 Socket or XLR socket to connect. (DMX cable NOT included.)

The final fixture should be terminated by the use of DMX Terminator (by others).

RJ45 Sockets



XLR Sockets



CONNECTION	RJ45 (CAT5e)	5-PIN XLR
Common	WHITE/BROWN(PIN7) & BROWN(PIN 8)	PIN 1
Signal -	ORANGE(PIN 2)	PIN 2
Signal +	WHITE/ORANGE(PIN 1)	PIN 3
Spare	-	PIN 4
Spare	-	PIN 5

Compatible TRIAC Dimmer List

LUTRON PART NO.

RRD-6NA-	RRT-G5NEW-	RRT-GH	HQRD-10ND-	HQRT-GH	HQRD-HN	PD-10NXD-
RRD-6ND	RRT-G25LW-	HQRD-6NA-	MRF2-6ND-120-	HQRT-G25LW-	GT-250M-	PD-5NE-
RRD-10ND-	RRD-HN	HQRD-6ND-	MRF2S-6ND-120-	HQRT-G5NEW-	GTJ-250M-	